

SYMBOLS & DISCRIPTIONS	
	PHASE 01—COMPLETION OF THE NEW DRAINAGE NETWORK
	PHASE 02—COMPLETION OF THE NEW DRAINAGE NETWORK



PREPARED BY:	ENGINEER
PPIDO (PHYSICAL PLANT AND INFRASTRUCTURE DEVELOPMENT OFFICE)	ENGR. GABINO C. HILVANO, DTM
PTR. NO.	DT. ISS.
PTR. NO.	PL. ISS.

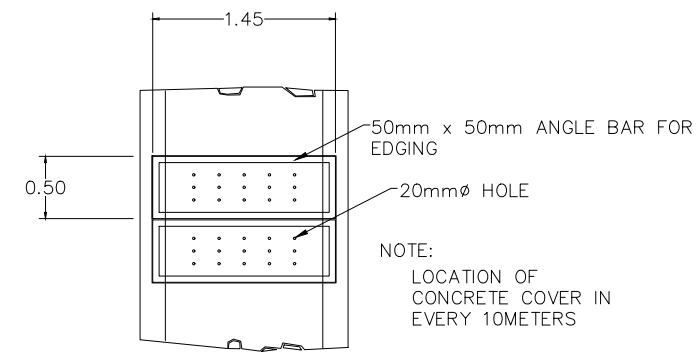
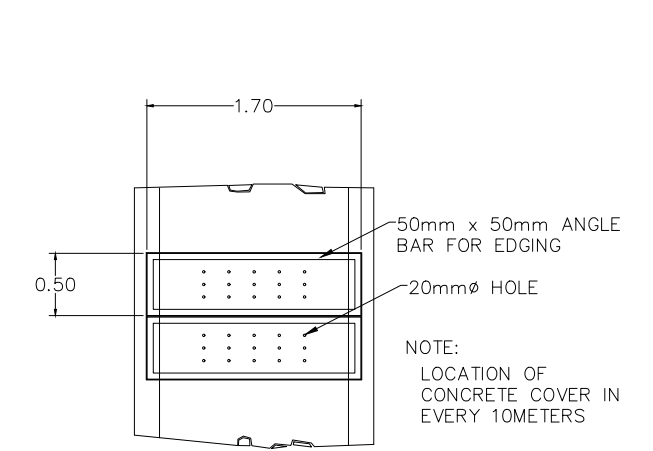
R.A.9266 DRAWINGS AND SPECIFICATION DULY SIGNED, STAMPED AND SEALED, AS INSTRUMENTS OF SERVICE, ARE THE PROPERTY AND DOCUMENT OF THE ARCHITECT WHETHER THE OBJECT FOR WHICH THEY ARE MADE IS EXECUTED OR NOT. IT SHALL BE UNLAWFUL FOR ANY PERSON WITHOUT THE WRITTEN CONSENT OF THE ARCHITECT TO DUPLICATE OR MAKE COPIES OF THIS DOCUMENT OF THE WHOLE OR IN PART.

PROJECT TITLE:
UPGRADING OF DRAINAGE STRUCTURE AT EVSU MAIN CAMPUS (PHASE 1)
LOCATION: EVSU—MAIN CAMPUS, TACLOBAN CITY

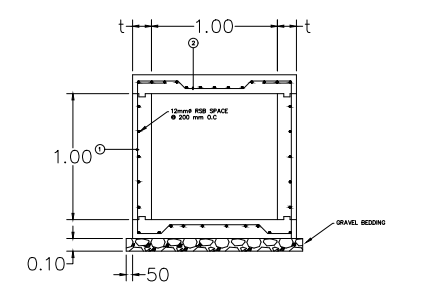
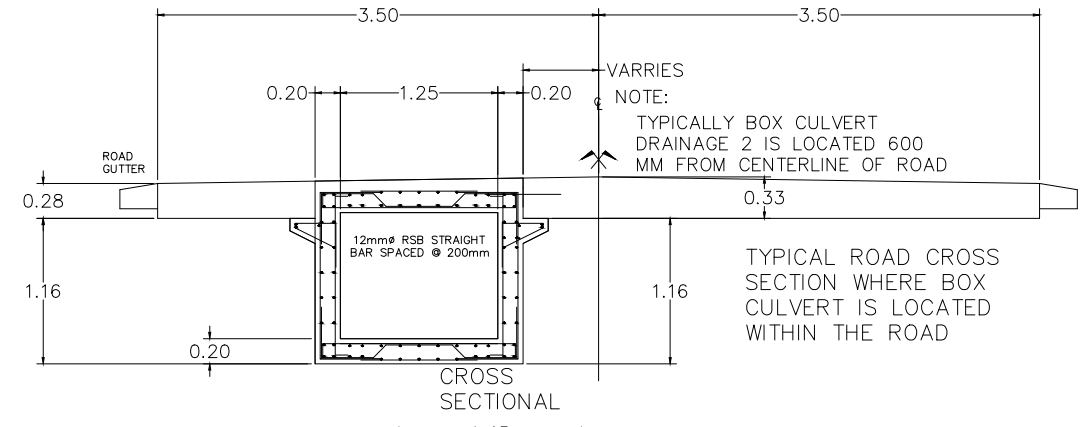
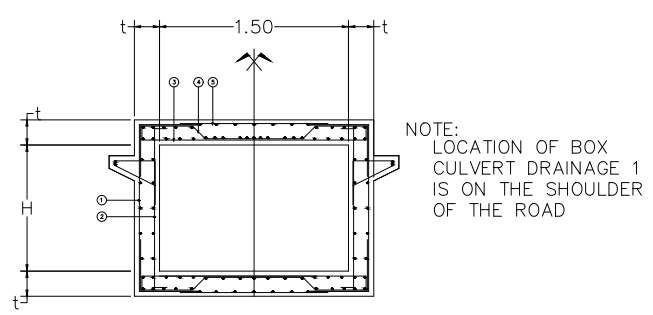
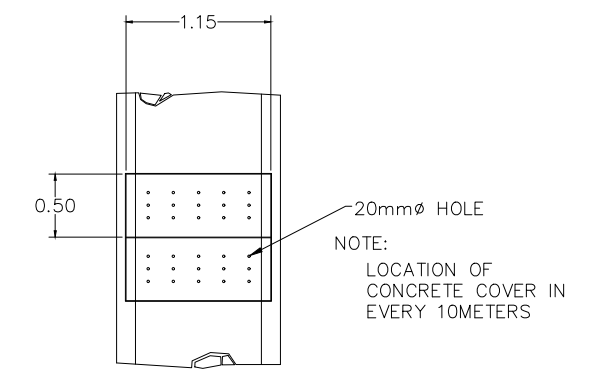
RECOMMENDING APPROVAL:
 AR. BERNIE G. TUDIO, UAP Planning Officer III

APPROVED BY:
 DR. DENNIS C. DE PAZ University President

SHEET CONTENT:	PROJECT ID NO.	SHEET NO.
VICINITY MAP SITE DEVELOPMENT PLAN	REV. NO.: _____	<div style="border: 1px solid black; border-radius: 50%; width: 40px; height: 40px; display: flex; align-items: center; justify-content: center; margin: 0 auto;"> S 1 / 4 </div>
	DATE SUBMITTED: _____	



TYPE	DIMENSION(mm)		
	a	b	t
A	800	600	150
B	800	800	150
C	800	1000	150
D	800	1200	150

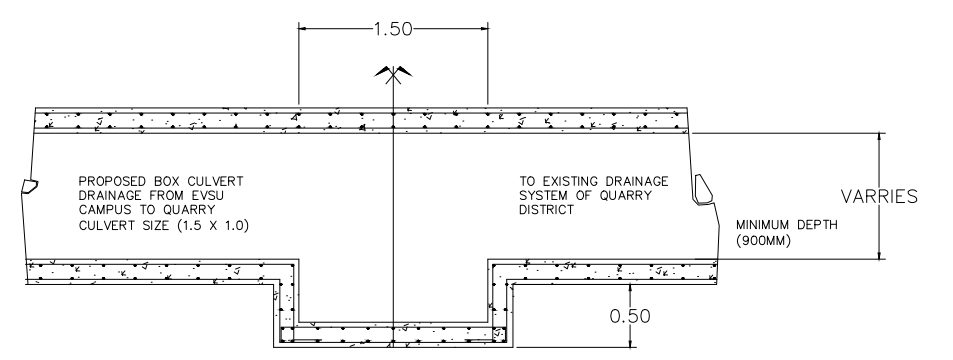
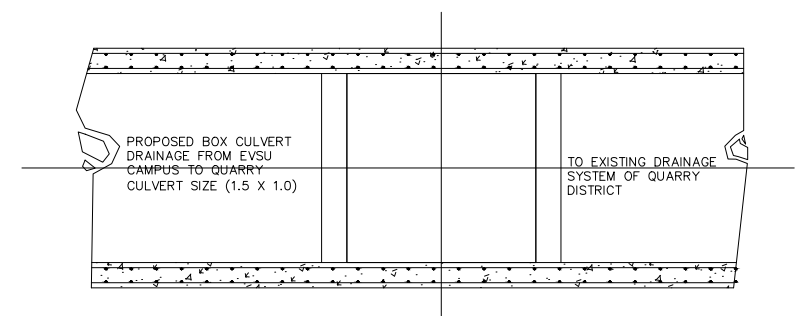
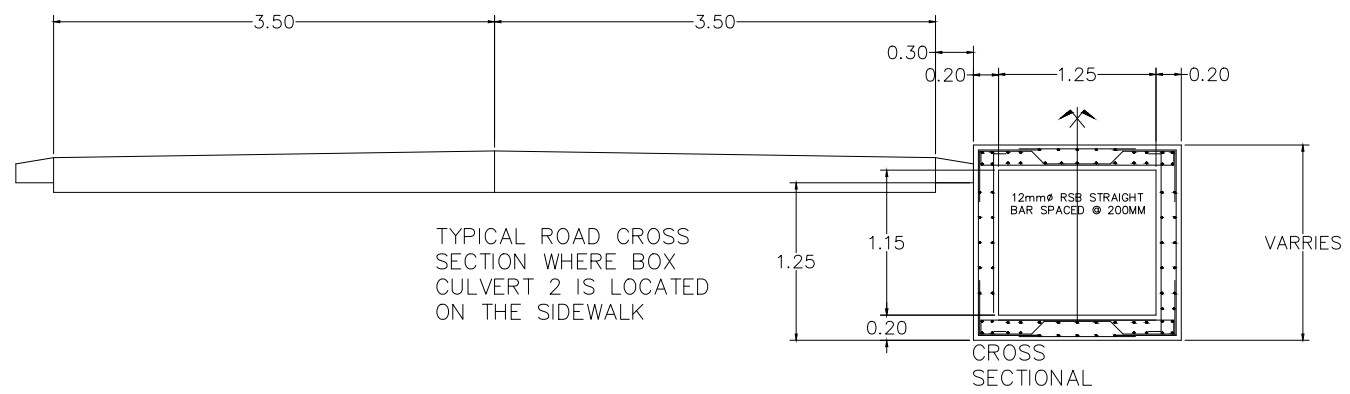
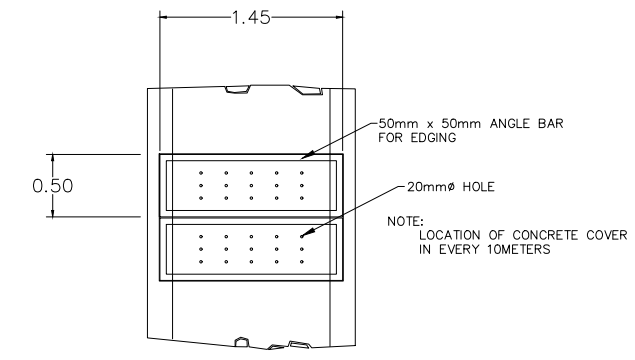


BOX CULVERT DRAINAGE 1 SINGLE BARREL SECTION
1.5M X 1.0M
SCALE

TYPICAL DRAINAGE SECTION 1.0M X 1.0M
SCALE

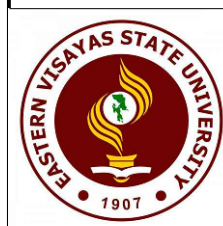
SCHEDULE OF REBAR FOR STANDARD BOX CULVERT

SPAN HEIGHT S(mm)	CLEAR H(mm)	t (mm)	SINGLE BARREL BOX CULVERT									
			BAR 1		BAR 2		BAR 3		BAR 4		BAR 5	
			a(mm)	SPACING(mm)	a(mm)	SPACING(mm)	a(mm)	SPACING(mm)	a(mm)	SPACING(mm)	a(mm)	SPACING(mm)
1250	1000	200	12	250	12	250	12	250	12	250	12	250
	1250	200	12	250	12	250	12	250	12	250	12	250
	1500	200	12	250	12	220	12	250	12	250	12	250
	1800	200	12	250	12	220	12	250	12	250	12	250
1500	1000	200	12	200	12	200	12	200	12	200	12	200
	1250	200	12	200	12	200	12	200	12	200	12	200
	1500	200	12	200	12	200	12	200	12	200	12	200
	1800	200	12	200	12	200	12	200	12	200	12	200



BOX CULVERT DRAINAGE 2 SINGLE BARREL SECTION 1.25M X 1.0M
SCALE

TYPICAL DETAIL D1 TO D1
SCALE



PREPARED BY: ENGINEER
PPIDO (PHYSICAL PLANT AND INFRASTRUCTURE DEVELOPMENT OFFICE)
ENGR. GABINO C. HILVANO, DTM

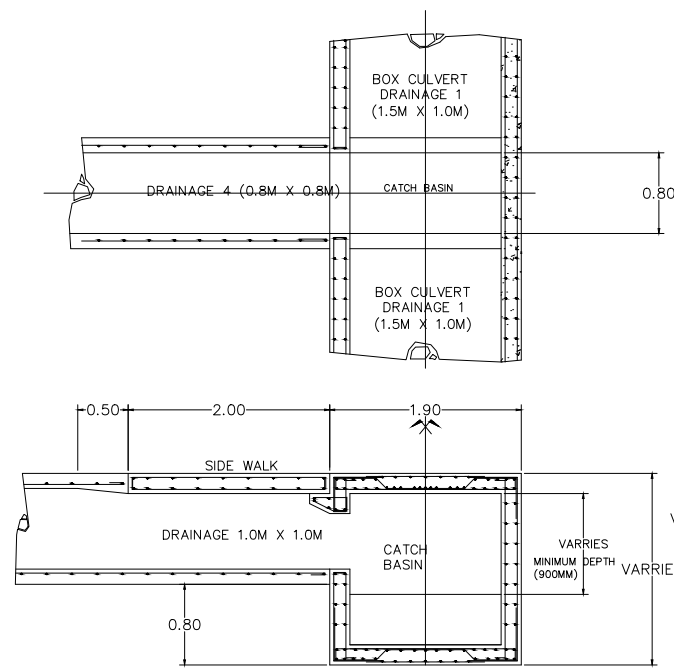
R.A.9266 DRAWINGS AND SPECIFICATION DULY SIGNED, STAMPED AND SEALED, AS INSTRUMENTS OF SERVICE, ARE THE PROPERTY AND DOCUMENT OF THE ARCHITECT WHETHER THE OBJECT FOR WHICH THEY ARE MADE IS EXECUTED OR NOT. IT SHALL BE UNLAWFUL FOR ANY PERSON WITHOUT THE WRITTEN CONSENT OF THE ARCHITECT TO DUPLICATE OR MAKE COPIES OF THIS DOCUMENT OF THE WHOLE OR IN PART.

PROJECT TITLE: UPGRADE OF DRAINAGE STRUCTURE AT EVSU MAIN CAMPUS (PHASE 1)
LOCATION: EVSU-MAIN CAMPUS, TACLOBAN CITY

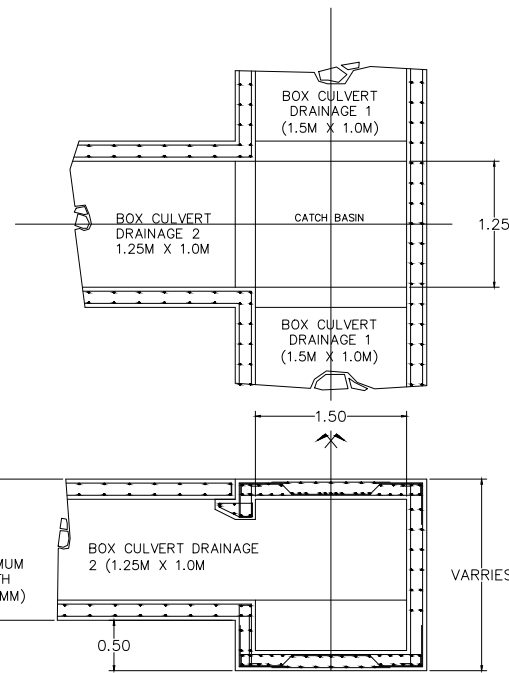
RECOMMENDING APPROVAL: **AR. BERNIE G. TUDIO, UAP**
Planning Officer III

APPROVED BY: **DR. DENNIS C. DE PAZ**
University President

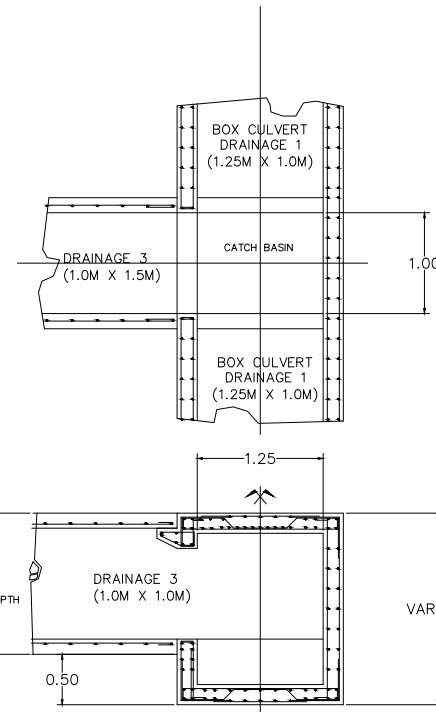
SHEET CONTENT: AS SHOWN
PROJECT ID NO.:
REV. NO.:
DATE SUBMITTED:
SHEET NO.: **S 24**



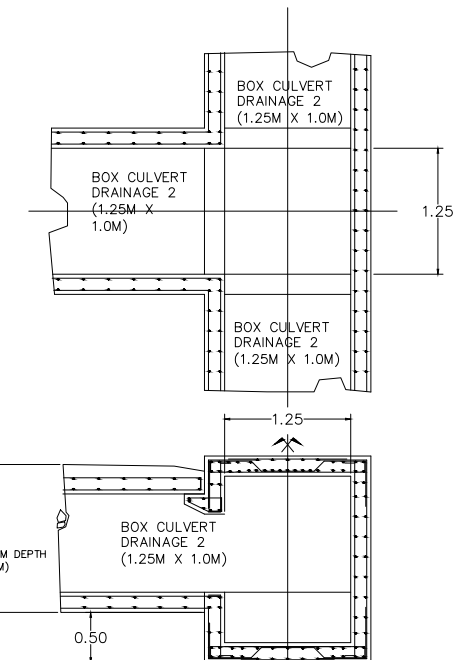
A
2
SCALE



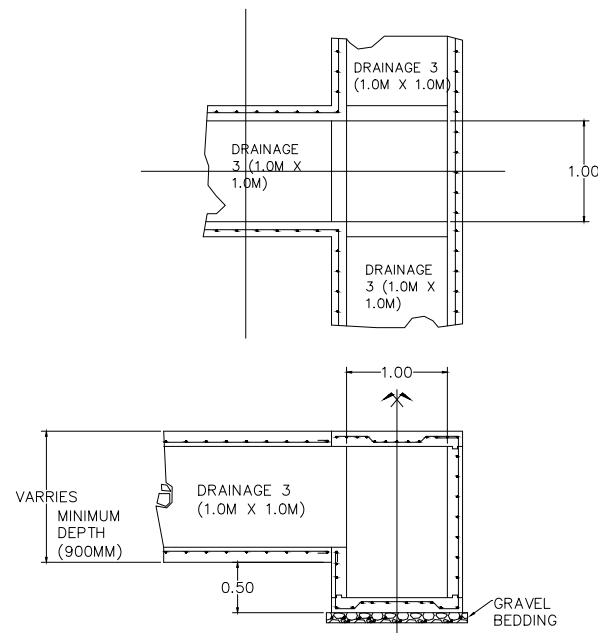
A
3
SCALE



A
4
SCALE



A
5
SCALE



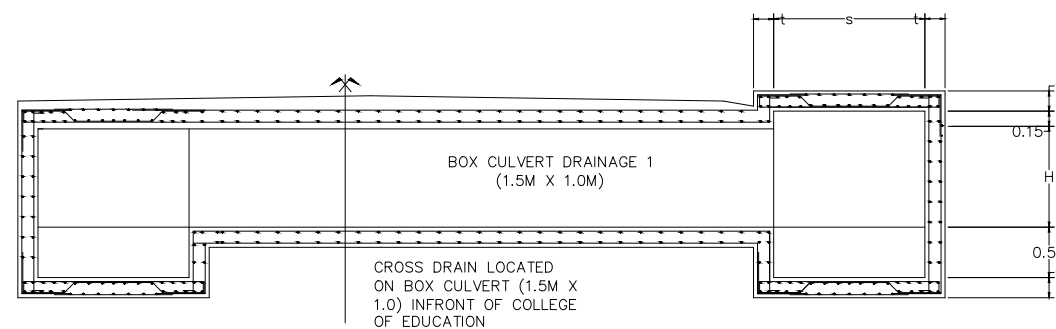
A
6
SCALE

SCHEDULE OF REBAR FOR STANDARD BOX CULVERT (SIDEWALK)

CLEAR		SINGLE BARREL BOX CULVERT										
SPAN	HEIGHT	t (mm)	BAR 1		BAR 2		BAR 3		BAR 4		BAR 5	
S(mm)	H(mm)		φ(mm)	SPACING(mm)	φ(mm)	SPACING(mm)	φ(mm)	SPACING(mm)	φ(mm)	SPACING(mm)	φ(mm)	SPACING(mm)
1250	1000	200	12	200	12	200	12	200	12	200	12	200
	1250	200	12	200	12	200	12	200	12	200	12	200
	1500	200	12	200	12	200	12	200	12	200	12	200
	1800	200	12	200	12	200	12	200	12	200	12	200
1500	1000	200	12	200	12	200	12	200	12	200	12	200
	1250	200	12	200	12	200	12	200	12	200	12	200
	1500	200	12	200	12	200	12	200	12	200	12	200
	1800	200	12	200	12	200	12	200	12	200	12	200

SCHEDULE OF REBAR FOR STANDARD BOX CULVERT (PAVEMENT)

CLEAR		SINGLE BARREL BOX CULVERT										
SPAN	HEIGHT	t (mm)	BAR 1		BAR 2		BAR 3		BAR 4		BAR 5	
S(mm)	H(mm)		φ(mm)	SPACING(mm)	φ(mm)	SPACING(mm)	φ(mm)	SPACING(mm)	φ(mm)	SPACING(mm)	φ(mm)	SPACING(mm)
1250	1000	200	16	200	16	200	16	200	16	200	16	200
	1250	200	16	200	16	200	16	200	16	200	16	200
	1500	200	16	200	16	200	16	200	16	200	16	200
	1800	200	16	200	16	200	16	200	16	200	16	200
1500	1000	200	16	200	16	200	16	200	16	200	16	200
	1250	200	16	200	16	200	16	200	16	200	16	200
	1500	200	16	200	16	200	16	200	16	200	16	200
	1800	200	16	200	16	200	16	200	16	200	16	200



A
6
SCALE



PPIDO
(PHYSICAL PLANT AND
INFRASTRUCTURE
DEVELOPMENT OFFICE)

ENGINEER
ENGR. GABINO C. HILVANO, DTM

R.A.9266
DRAWINGS AND SPECIFICATION
DULY SIGNED, STAMPED AND
SEALED, AS INSTRUMENTS OF
SERVICE, ARE THE PROPERTY AND
DOCUMENT OF THE ARCHITECT
WHETHER THE OBJECT FOR WHICH
THEY ARE MADE IS EXECUTED OR
NOT. IT SHALL BE UNLAWFUL FOR
ANY PERSON WITHOUT THE
WRITTEN CONSENT OF THE
ARCHITECT TO DUPLICATE OR
MAKE COPIES OF THIS DOCUMENT
OF THE WHOLE OR IN PART.

PROJECT TITLE:
**UPGRADING OF DRAINAGE STRUCTURE
AT EVSU MAIN CAMPUS (PHASE 1)**

LOCATION: EVSU-MAIN CAMPUS, TACLOBAN CITY

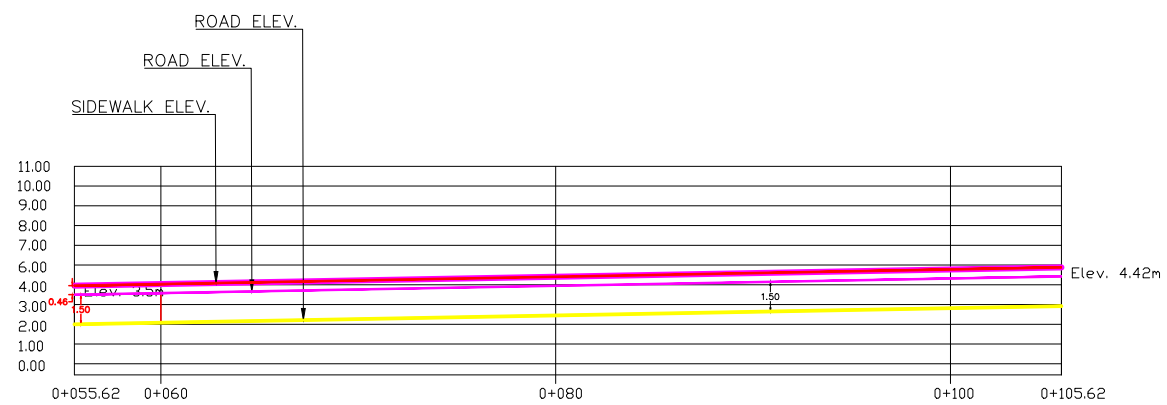
RECOMMENDING APPROVAL:
AR. BERNIE G. TUDIO, UAP
Planning Officer III

APPROVED BY:
DR. DENNIS C. DE PAZ
University President

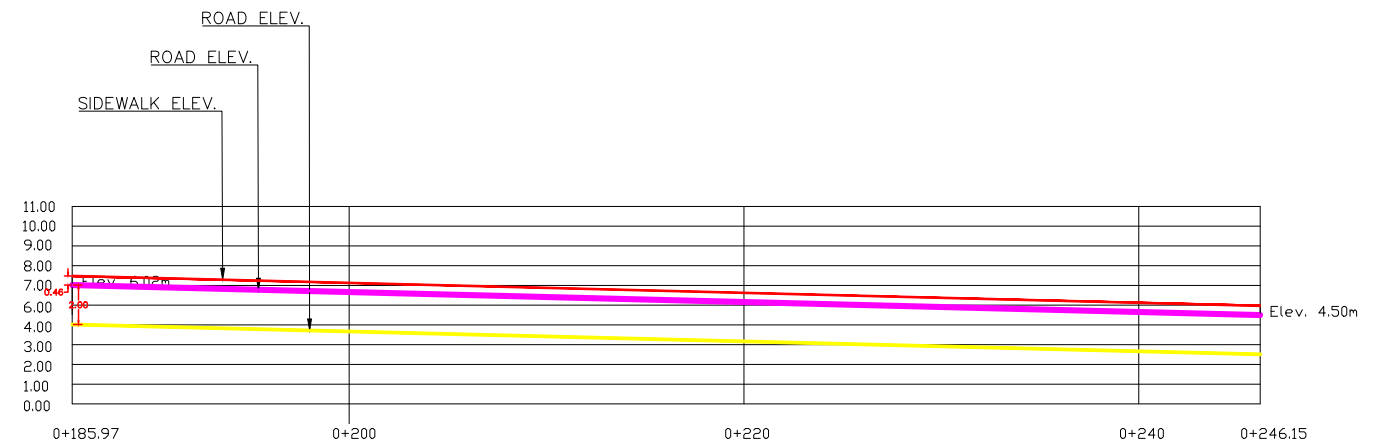
SHEET CONTENT:
AS SHOWN

PROJECT ID NO.
REV. NO.:
DATE SUBMITTED:

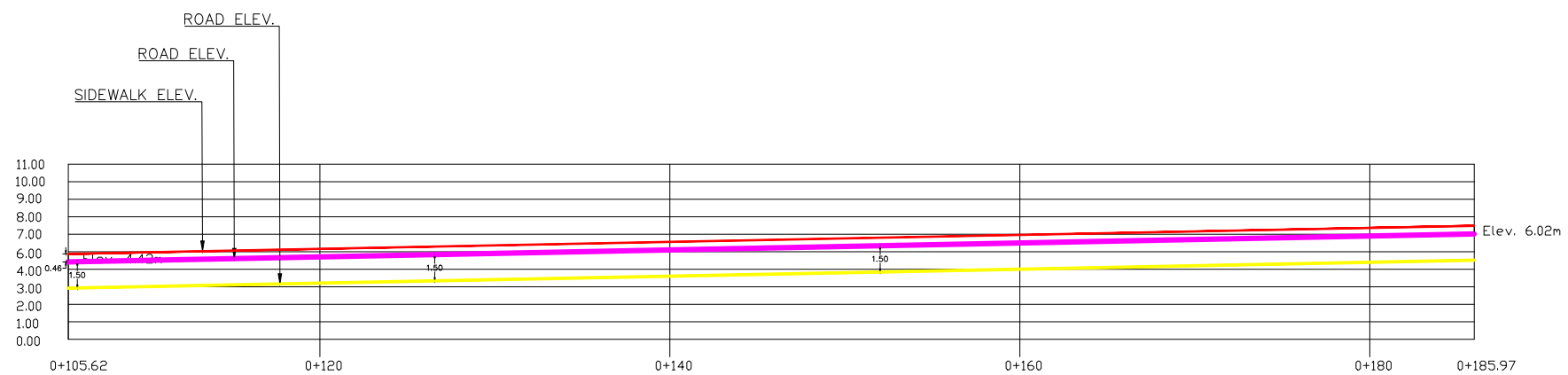
SHEET NO.
S
3 4



PROFILE ELEVATION OF DRAINAGE ALONG SIDE OF COLLEGE OF ENGINEERING AND TECHNOLOGY BUILDING



PROFILE ELEVATION OF DRAINAGE ALONG SIDE OF AUTOMOTIVE BUILDING AND MARINE BUILDING



PROFILE ELEVATION OF DRAINAGE ALONG SIDE OF COLLEGE OF EDUCATION AND MECHANICAL ENGINEERING BUILDING



PPIDO (PHYSICAL PLANT AND INFRASTRUCTURE DEVELOPMENT OFFICE)	ENGINEER ENGR. GABINO C. HILVANO, DTM	R.A.9266 DRAWINGS AND SPECIFICATION DULY SIGNED, STAMPED AND SEALED, AS INSTRUMENTS OF SERVICE, ARE THE PROPERTY AND DOCUMENT OF THE ARCHITECT WHETHER THE OBJECT FOR WHICH THEY ARE MADE IS EXECUTED OR NOT. IT SHALL BE UNLAWFUL FOR ANY PERSON WITHOUT THE WRITTEN CONSENT OF THE ARCHITECT TO DUPLICATE OR MAKE COPIES OF THIS DOCUMENT OF THE WHOLE OR IN PART.	PROJECT TITLE: UPGRADING OF DRAINAGE STRUCTURE AT EVSU MAIN CAMPUS (PHASE 1)	RECOMMENDING APPROVAL: AR. BERNIE G. TUDIO, UAP Planning Officer III	APPROVED BY: DR. DENNIS C. DE PAZ University President	SHEET CONTENT: AS SHOWN	PROJECT ID NO.	SHEET NO.
	PRC NO. _____ PTR. NO. _____		DT. ISS. _____ PL. ISS. _____	LOCATION: EVSU-MAIN CAMPUS, TACLOBAN CITY	REV. NO.: _____	DATE SUBMITTED: _____	S 4 4	